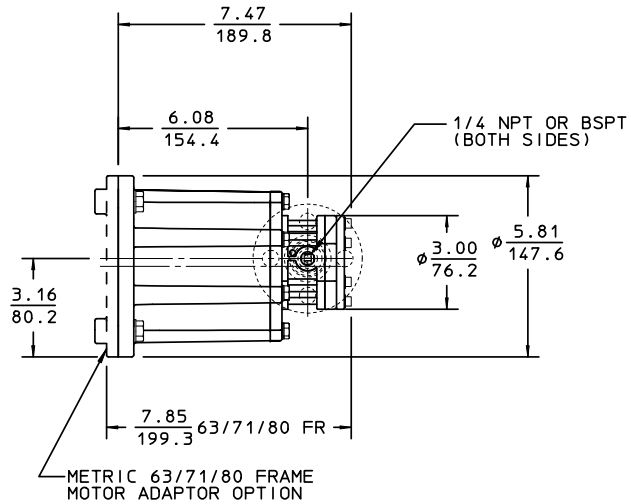


FLANGE ADAPTOR KIT E02FX_ .50" - 150# RF

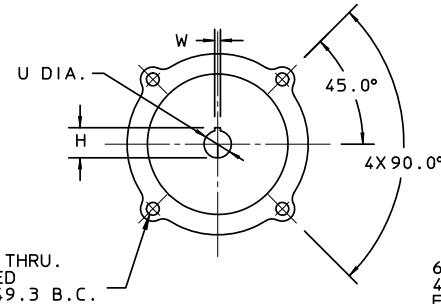
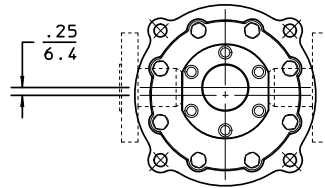
- NOTES:
1. SUCTION AND DISCHARGE PORTS DEPENDENT UPON PUMP SHAFT ROTATION.
 2. STANDARD MOTOR ADAPTOR FITS NEMA 56C, 143TC, 182C AND 184C FRAME MOTORS.
 3. METRIC MOTOR ADAPTOR OPTION FITS 63, 71 AND 80 FRAME MOTORS.
 4. MUST USE FOOT MOUNTED C-FACE MOTOR OF SPECIFIED FRAME SIZES.

MOTOR FRAME	U DIA. SHAFT	W KEY WIDTH	H KEY HEIGHT
56C	.626 15.9	.188 4.7	.71 18.0
140TC	.876 22.2	.188 4.7	.96 24.5
180C			
63	.434 11.0	.159 4.0	.51 12.9
71	.553 14.0	.196 5.0	.64 16.0
80	.750 19.1	.237 6.0	.865 22.0



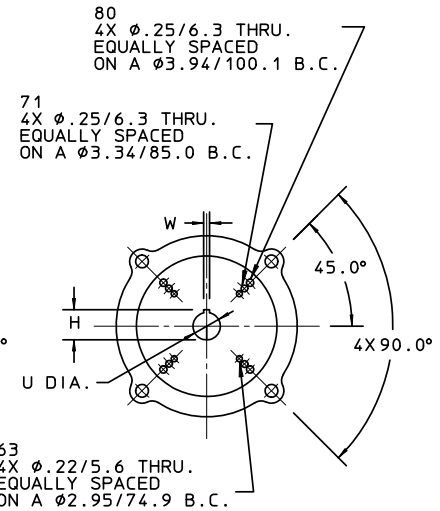
1/4 NPT OR BSPT (BOTH SIDES)

METRIC 63/71/80 FRAME MOTOR ADAPTOR OPTION



4X ϕ .41/10.4 THRU. EQUALLY SPACED ON A ϕ 5.88/149.3 B.C.

56C-184C FR NEMA MOTOR MOUNTING



80
4X ϕ .25/6.3 THRU. EQUALLY SPACED ON A ϕ 3.94/100.1 B.C.

71
4X ϕ .25/6.3 THRU. EQUALLY SPACED ON A ϕ 3.34/85.0 B.C.

63
4X ϕ .22/5.6 THRU. EQUALLY SPACED ON A ϕ 2.95/74.9 B.C.

63-71-80 FR METRIC MOTOR MOUNTING

ALL DIMENSIONS ARE IN INCHES/mm		SCALE: 1:4		Item - No.	
Customer				Model	
Project No.				E02 / EH02	
Po No./SO No.				Motor Pwr/Fr	
				SEE CHART	
				Unit Weight	
				lb kg	
SECTION/PAGE		ECLIPSE 2 / 101			
EFFECTIVE		04/16/13			
SUPERSEDES		03/08/12		A Unit of IDEX Corporation	
C	CHANGED FORMAT TO LANDSCAPE	KLM	04/16/13	Drawn	JRY 05/12/04
Rev	Revision Description	Name	Date	Checked	JRY 05/12/04
				Drawing No.	
				SD-2975-000	