

# GUARANTEED PROTECTION!

## SENTINEL DIAPHRAGM SEALS

Unconditionally **GUARANTEED**  
for three years!

**\*Blacoh GUARANTEES its Sentinel Diaphragms and Seal bodies for three years from the date of purchase. If any failure occurs, Blacoh will replace your Diaphragm Seal at no cost to you!**

(Guarantee does not apply to gauges or custom models)

### SENTINEL DIAPHRAGM SEAL ▶

Available in a variety of chemically resistant plastics and metals

### ▲ SENTINEL DIAPHRAGM SEAL

Protect & isolate all forms of system instrumentation from hazardous and corrosive process fluids

### SENTINEL FLOW THRU ▶

Prevents clogging of viscous process fluids

**NEW**

### ◀ SENTINEL "REVOLUTION"

All PVC construction and threaded housings are ideal for corrosive environments



## USE A DIAPHRAGM SEAL TO:

- Protect & isolate all forms of system instrumentation from hazardous and corrosive process fluids
- Ensure gauge and switch accuracy
- Smooth out erratic pressure surges
- Extend the life of pressure instrumentation
- Protect gauges from freezing and slurries
- Receive accurate and consistent readings when working with corrosive or solids-laden fluids
- Replace expensive gauges with low cost utility gauges

## SENTINEL FEATURES:

- Three year guarantee on diaphragms & seal bodies
- Accuracy of  $\pm 2\%$  full deflection or better
- Pressure ranges up to 1000 PSI (68.95 BAR)
- 1/4" (6.35 mm) up to 3/4" (19.05 mm) inlet ports
- All standard models available from stock
- Bodies available in a full range of chemically resistant materials
- Custom models available

(800) 603-7867  
www.Blacoh.com

**BLACOH**  
FLUID CONTROL

Member of  
**Hydraulic**



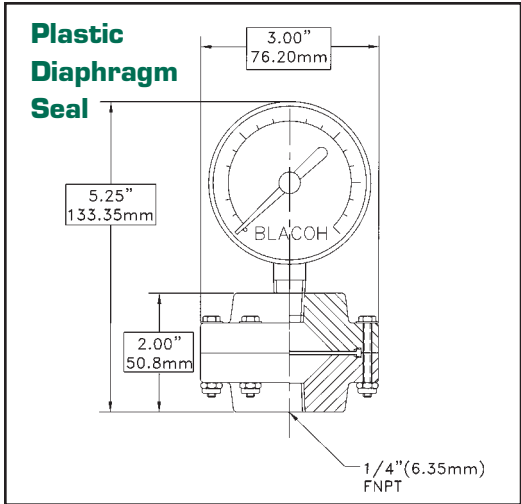
**SENTRY**  
PULSATION DAMPERS

**SENTINEL**  
DIAPHRAGM SEALS

**SPILL STOP**  
LEAK CONTAINMENT

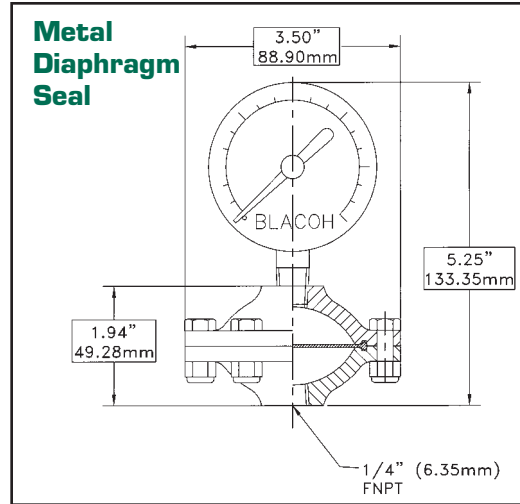


## SENTINEL DIAPHRAGM SEALS



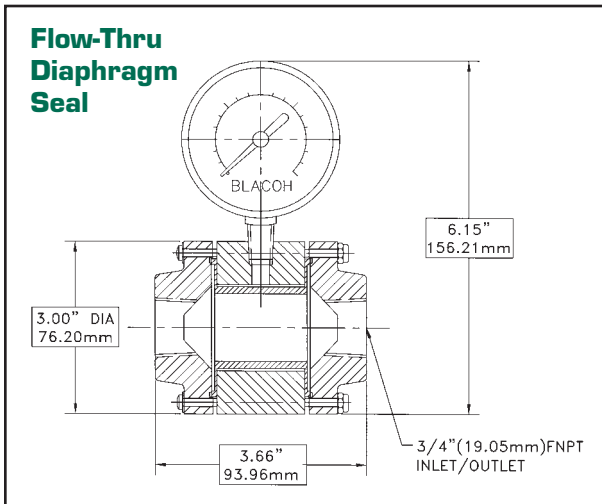
**BODY MATERIALS:**  
POLYPROPYLENE  
PVC  
PVDF

**DIAPHRAGM MATERIALS:**  
PTFE  
EPDM  
VITON



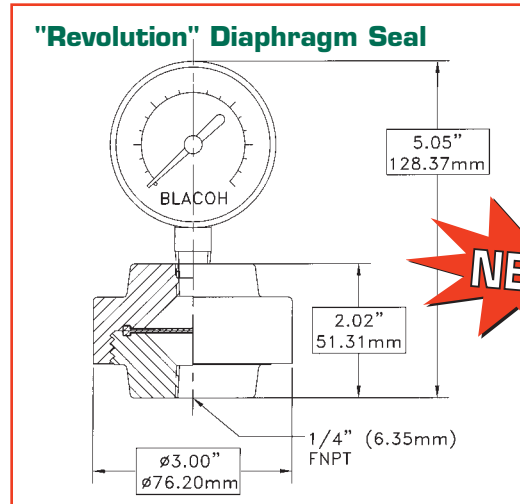
**BODY MATERIALS:**  
316 STAINLESS STEEL  
ALLOY 20  
HASTELLOY C

**DIAPHRAGM MATERIALS:**  
PTFE  
EPDM  
VITON



**BODY MATERIALS:**  
PVC  
POLYPROPYLENE

**TUBE DIAPHRAGM MATERIALS:**  
EPDM  
VITON



**BODY MATERIALS:**  
PVC

**DIAPHRAGM MATERIALS:**  
EPDM  
VITON

Please call your local distributor:



Call for your **FREE**  
Demonstration CD

**BLACOH**  
FLUID CONTROL

601 Columbia Ave., Bldg. D, Riverside, CA 92507 • USA  
Tel: (800) 603-7867 or (951) 342-3100 • Fax: (951) 342-3101  
E-mail: sales@blacoh.com • Website: www.blacoh.com